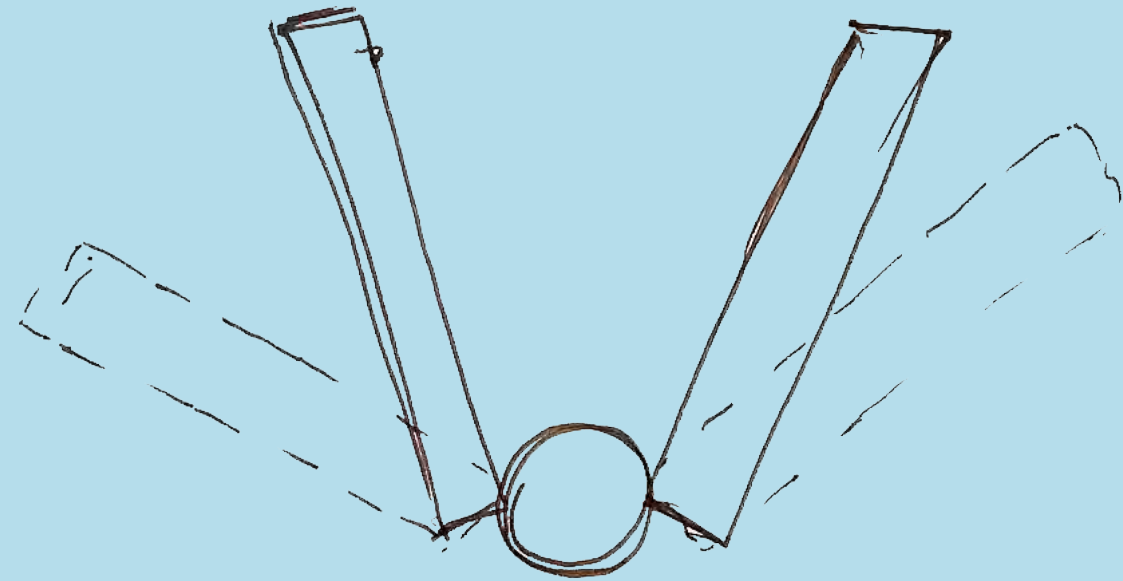
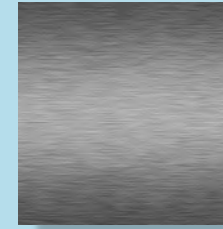


# ADAPTATIONS

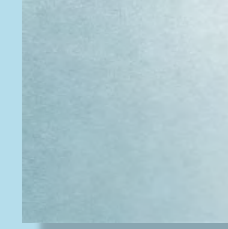
THE ANGULAR PROFILE OF THE FIXTURE WILL ALLOW FOR GENEROUS, ADJUSTABLE INDIRECT LIGHTING. COMPACT FLUORESCENT LAMPS WILL LINE THE INTERIOR OF THE SHELL WHICH ROTATES TO PROVIDE FLEXIBLE LIGHTING LEVELS FOR EACH USER.



## MATERIALS



ALUMINUM



SANDBLASTED  
PLASTIC

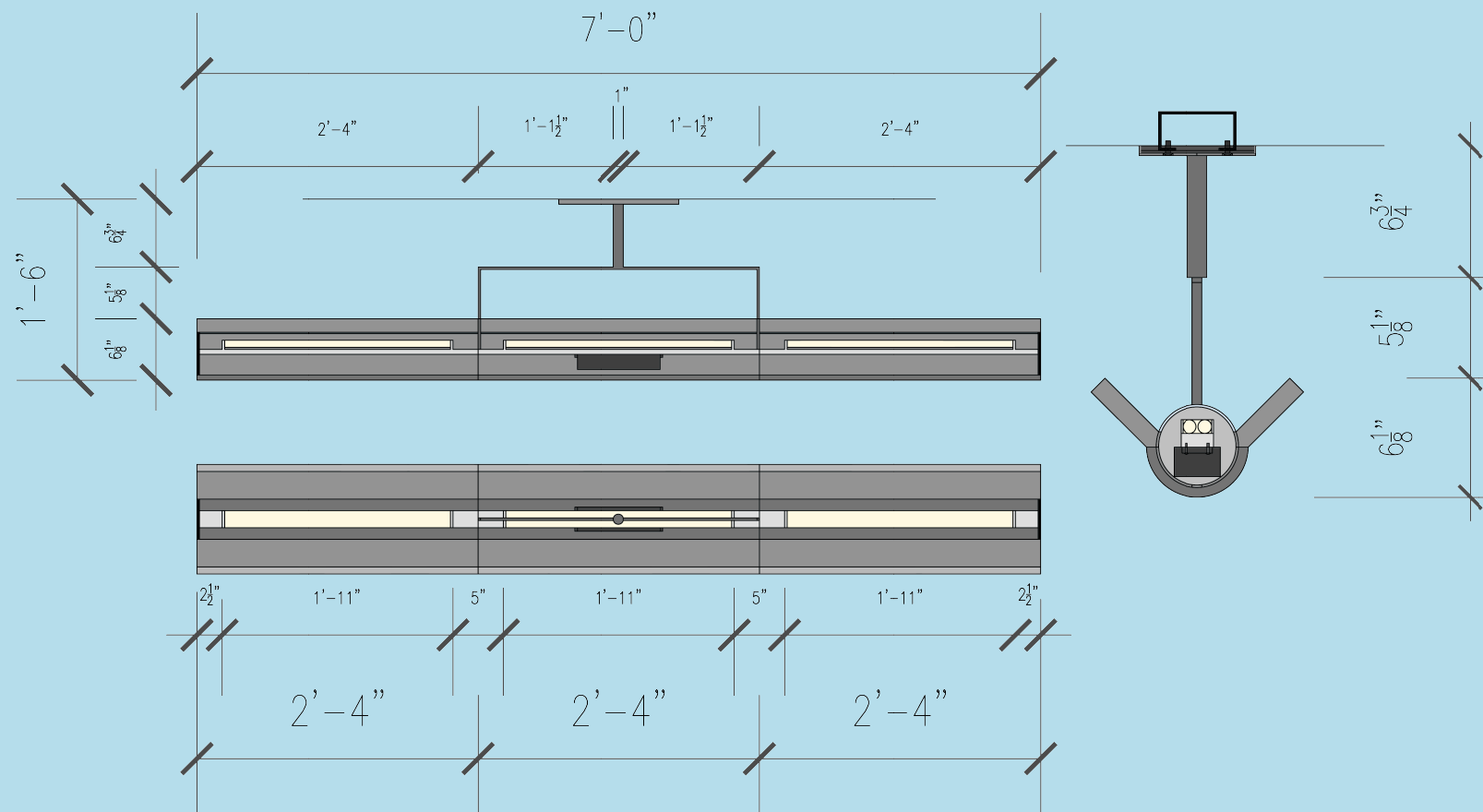


BLACK COATED  
STAINLESS

## PERSPECTIVE



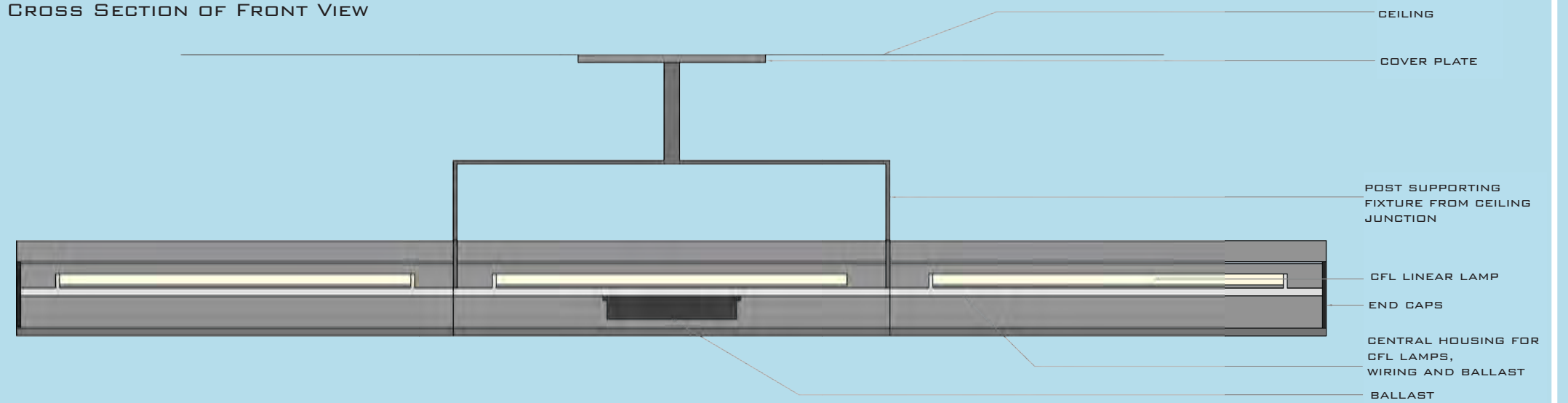
## DIMENSIONS



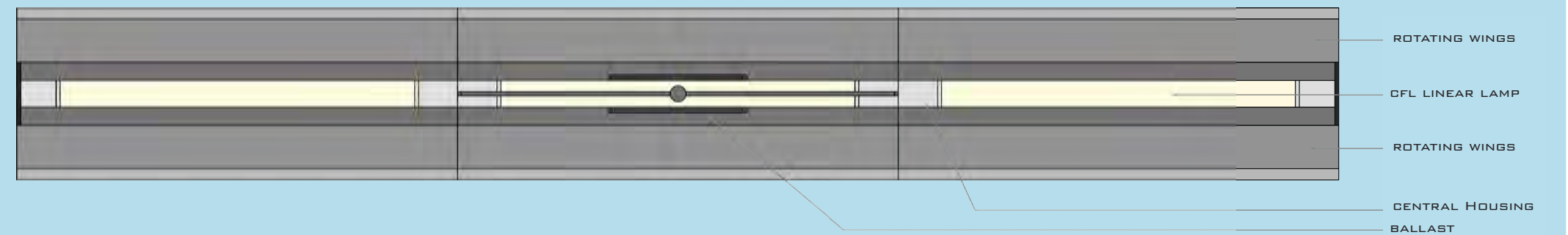
# ADAPTATIONS

DETAILS:

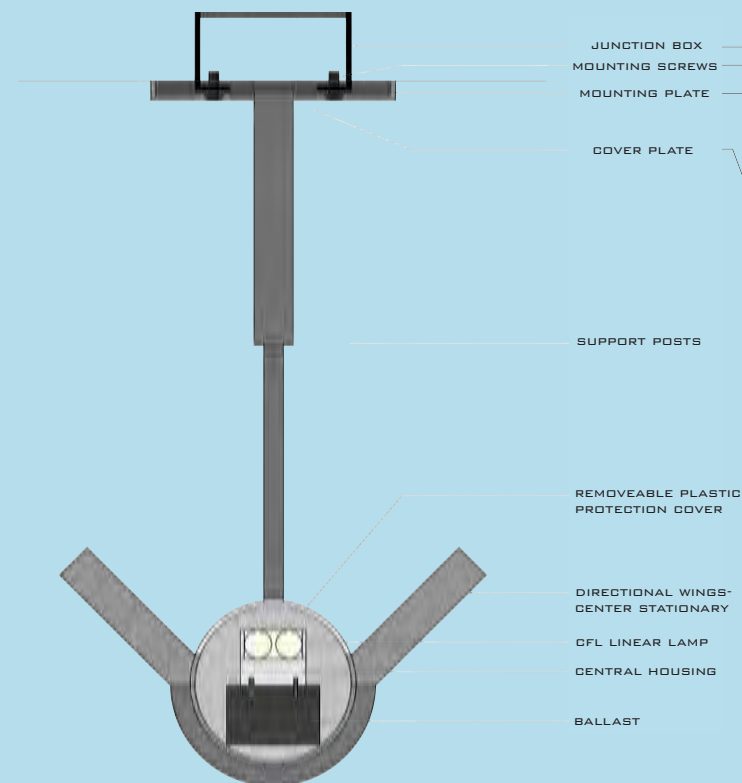
CROSS SECTION OF FRONT VIEW



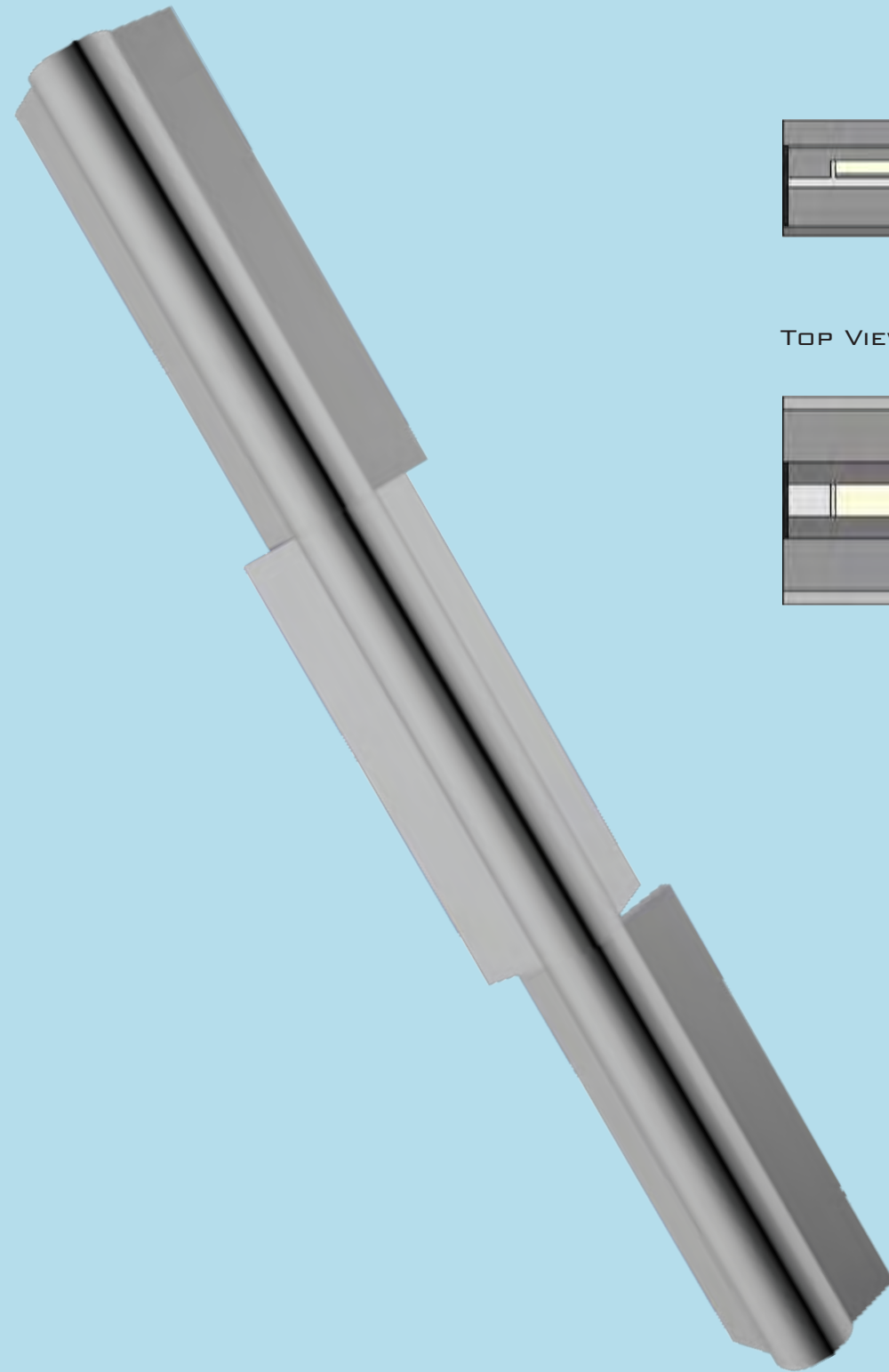
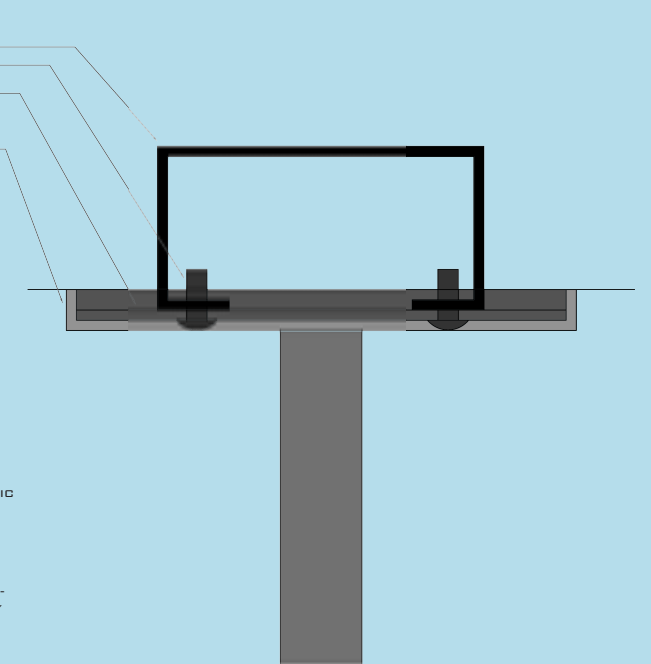
TOP VIEW



SIDE VIEW OF CENTER PORTION



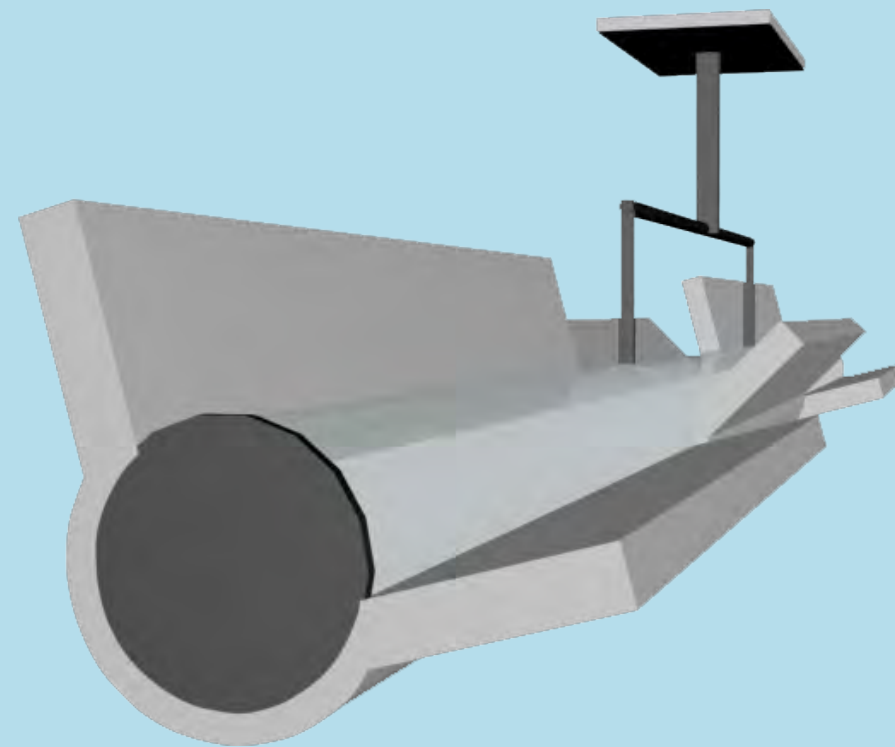
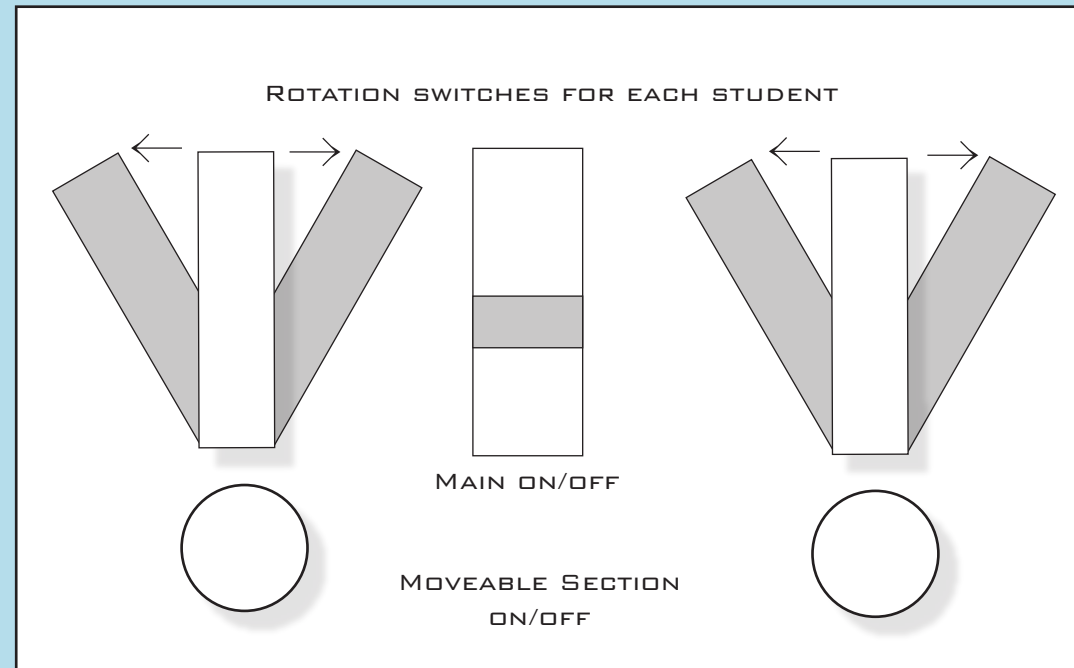
MOUNTING DETAIL



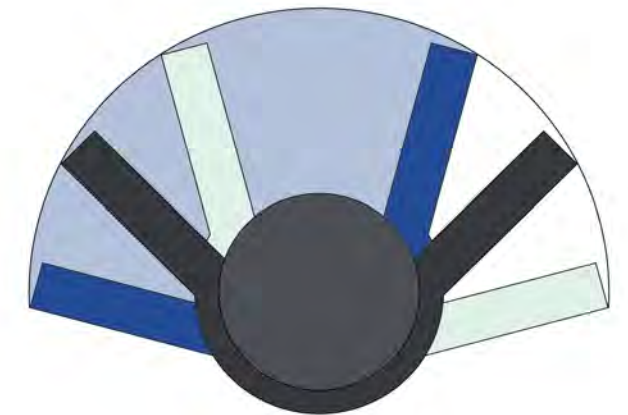
# ADAPTATIONS

ADAPTATIONS IS DIVIDED INTO THREE SECTIONS. THE CENTER SECTION IS STATIONARY AND HOUSES THE BALLAST. THE TWO SIDE SECTIONS ARE ABLE TO ROTATE IN EITHER DIRECTION 30 DEGREES WHICH PROVIDES FLEXIBLE AND ADJUSTABLE LIGHT FOR ANY ROOM CONFIGURATION.

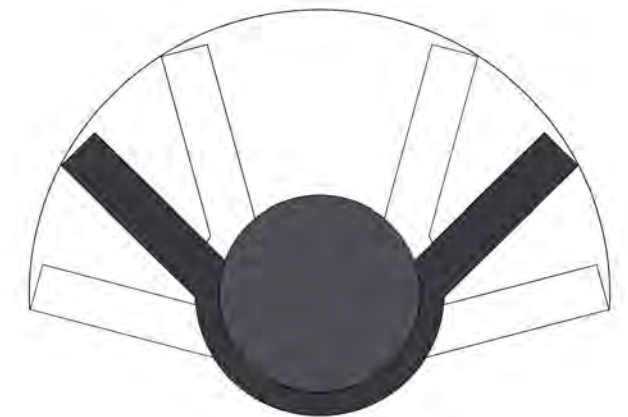
## SWITCH DESIGN



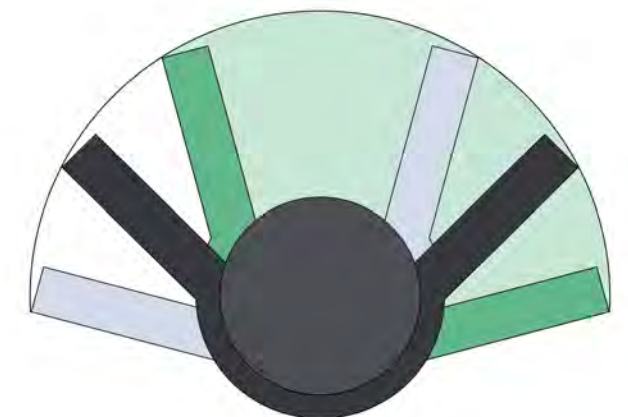
## WING ROTATION



30 DEGREES COUNTERCLOCKWISE

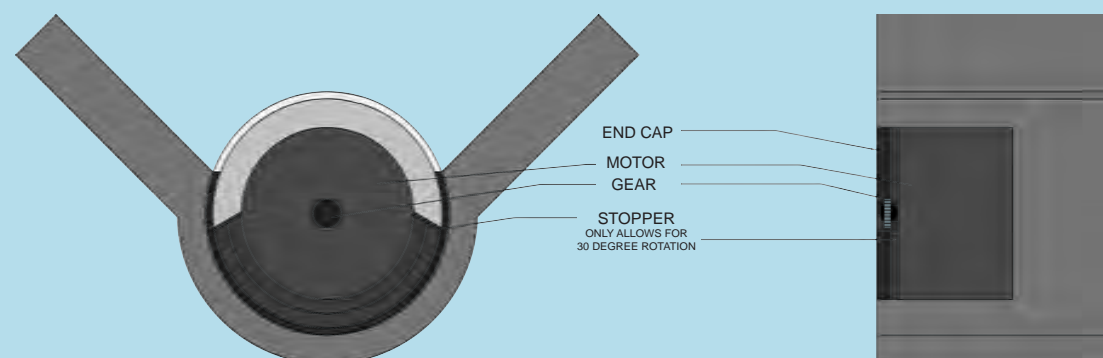


STANDARD POSITION



30 DEGREES CLOCKWISE

## DIAGRAM SHOWING PORTIONS OF FIXTURE THAT ROTATE



# ADAPTATIONS

