

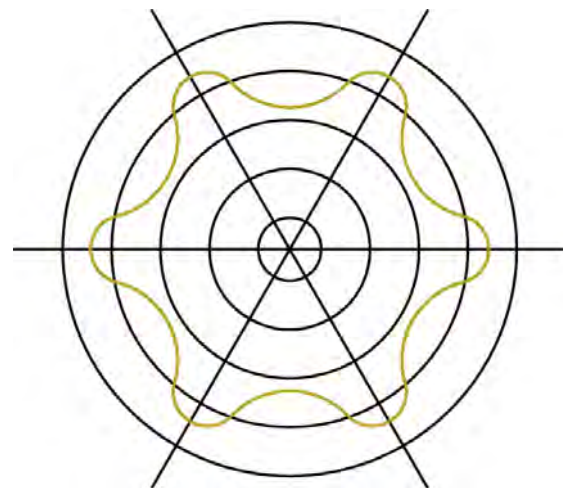
COMMAND THE LIGHT

CONCEPT

Have you ever been in a meeting where the lights were dimmed for a video conference or presentation and could not see the paper you are using to take notes? With **COMMAND THE LIGHT** this will no longer be the problem. Not only is it a pendant fixture but it can be transformed into a desk light. No longer will people suffer from not having enough light during a dimlit meeting. The design is sleek and structural and when together creates a harmonious whole. The entire fixture is made with recycled stainless steel to keep the look of the fixture simplistic as well as being sustainable.



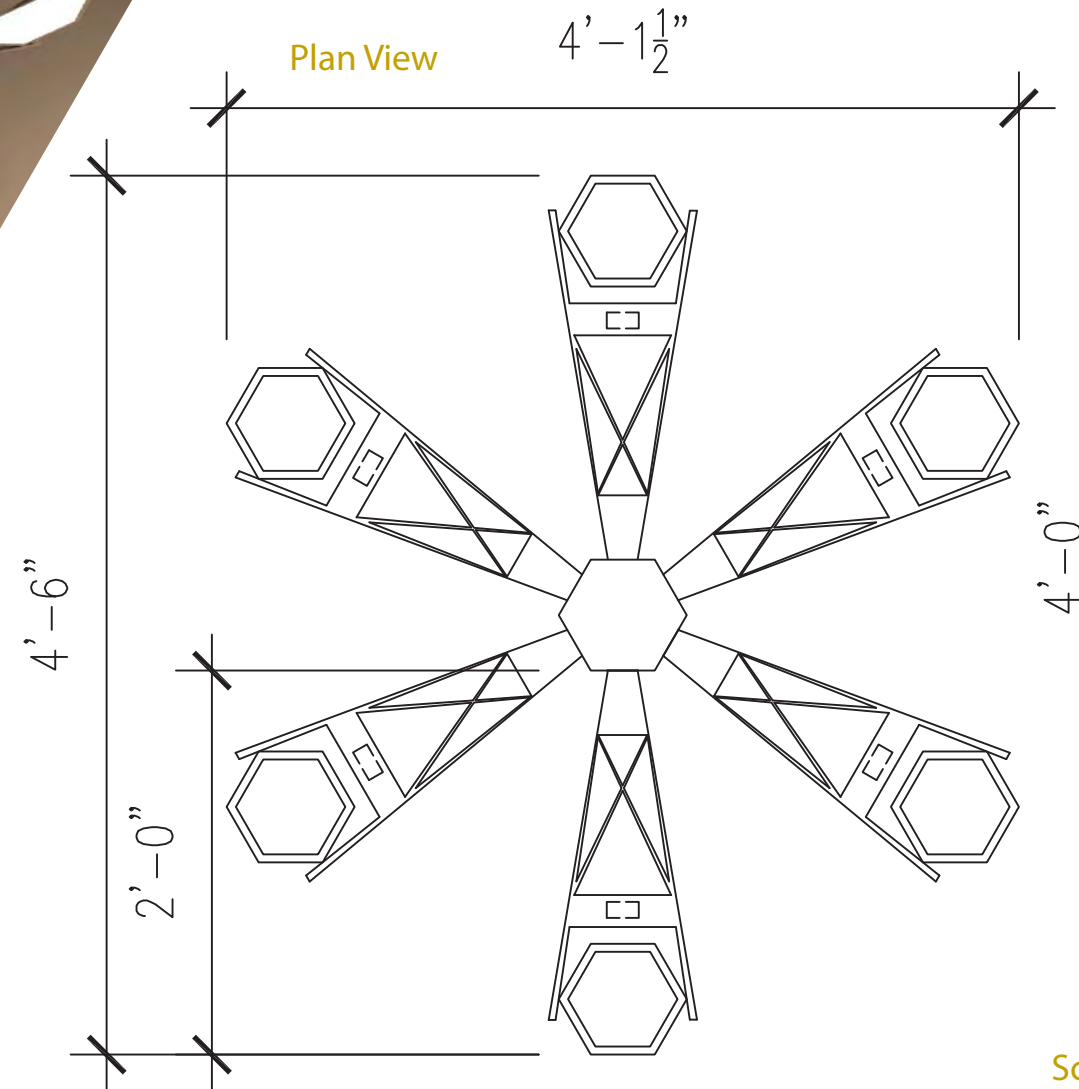
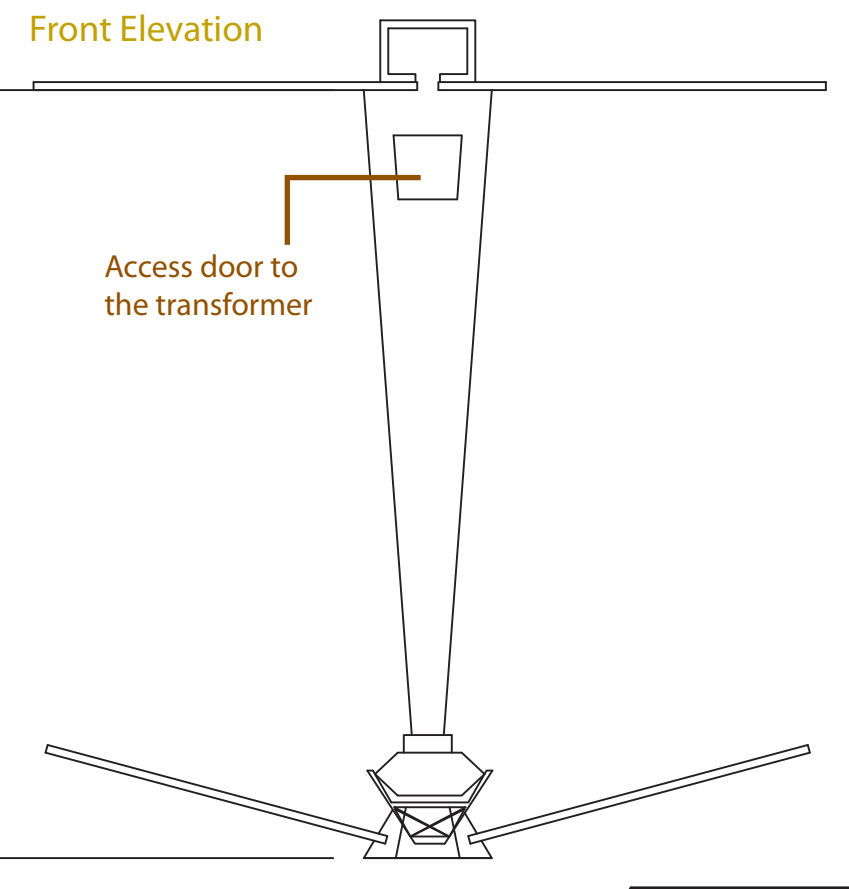
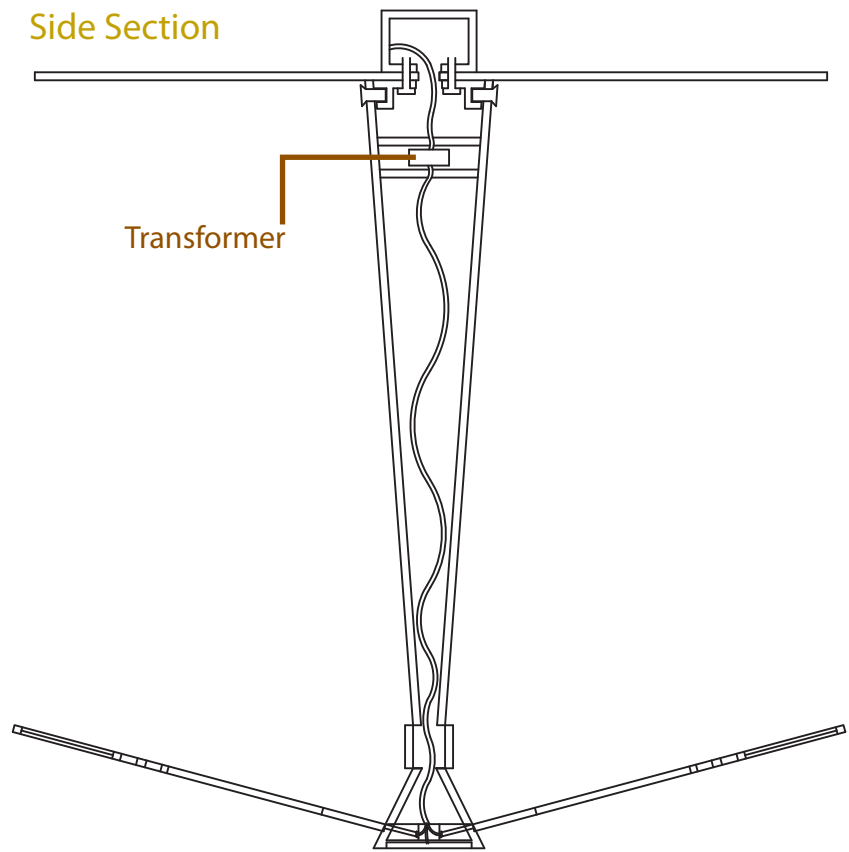
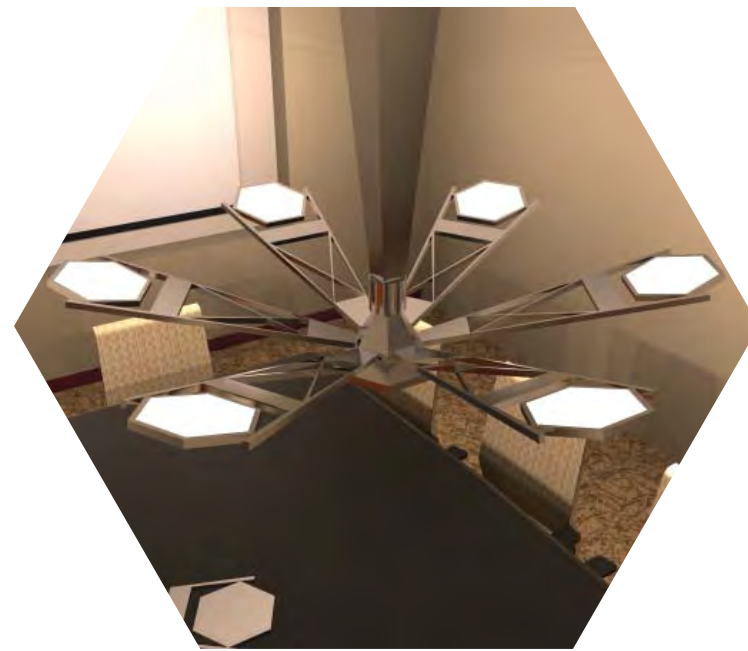
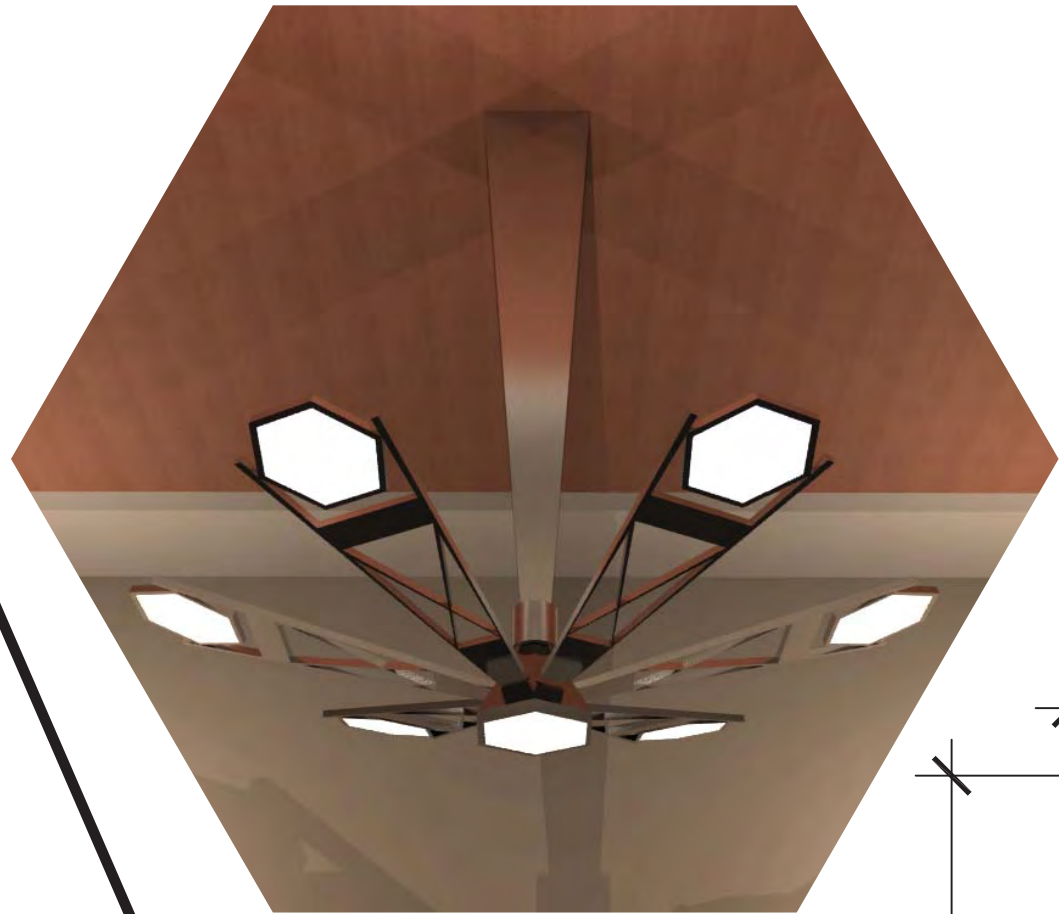
3D RENDERING



CANDLE POWER
DISTRIBUTION CURVE



COMMAND THE LIGHT

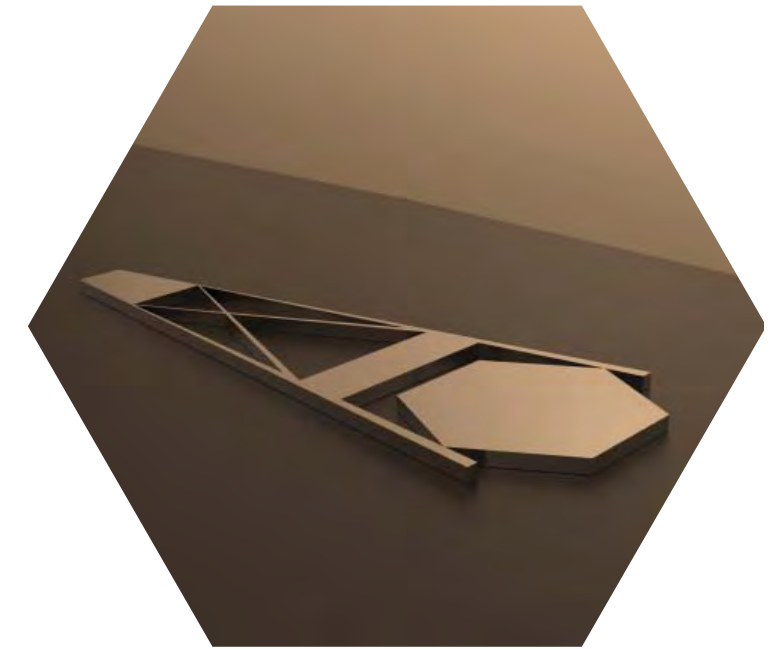
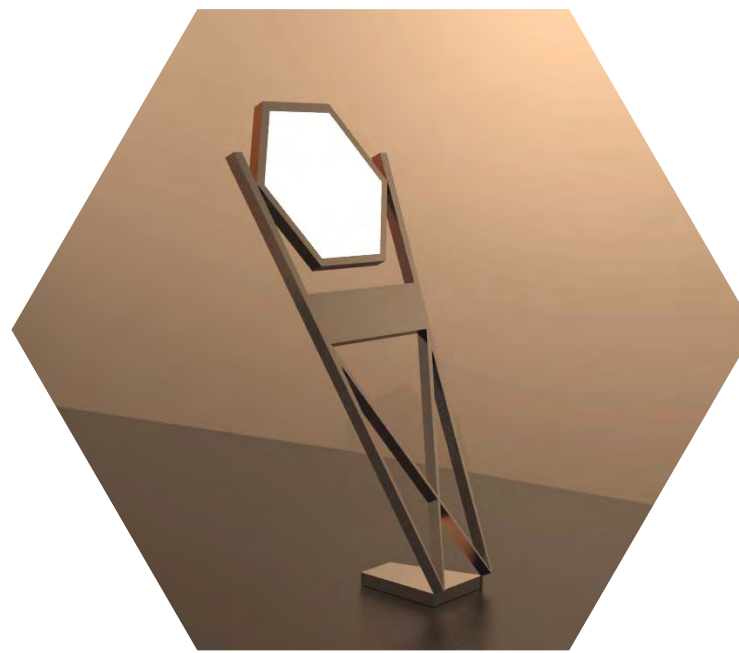


LIGHT FUNCTION AS A PENDANT LIGHT

The conference pendant has six double sided OLED panels and a single down lighting OLED in the center hexagon. By having double sided OLED lights the fixture can be used for up lighting, down lighting, or both at the same time, creating direct and indirect lighting.

Scale: 1"=1'-0"

COMMAND THE LIGHT



LIGHT FUNCTION AS A DESK LIGHT

Each pendant can be detached from the central hexagon, folded, and used as task lighting on the desk. Once detached the OLED light on the top of the hexagon automatically turns off. The pendant is able to be used once it is detached because of the eco friendly NiMh battery located behind the OLED panels. This is so that if there is a projector presentation going on in the conference room, and the lights need to be dimmed, an individual who needs more light to take notes may do so without disturbing other individuals around them.

